



# Containers for hazardous solid waste ASP



---

ASP 600/800/1500

# Containers for hazardous solid waste

ASP 600/800/1500 11AX



Certified for storage and transport of hazardous solids and bulk substances. Standard containers (UN code starting with 11A) are suitable for the transport of substances that require packing group I./X, II./Y or III./Z, according to ADR / RID / IMDG / RTDG regulations.

ASP 600/800/1500 11AX containers are certified according to Chapter 6.5 of the ADR Agreement as a large container for bulk substances (IBC, 11A) of solid or pasty nature. Filling and emptying is allowed by gravity (ie not under pressure).

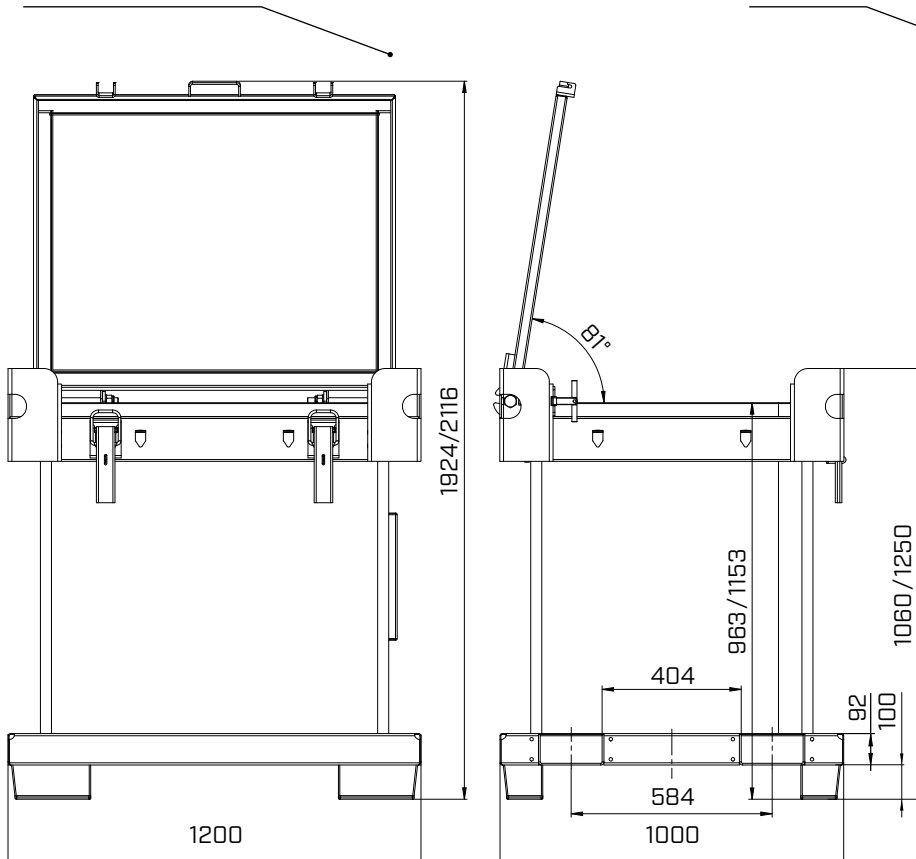
Packaging requirements for a specific hazardous substance are not part of the packaging certification. In all cases, it is necessary to follow the relevant ADR guideline for the packaging of a specific dangerous substance. Ensuring these requirements is up to the user.

## Specifications

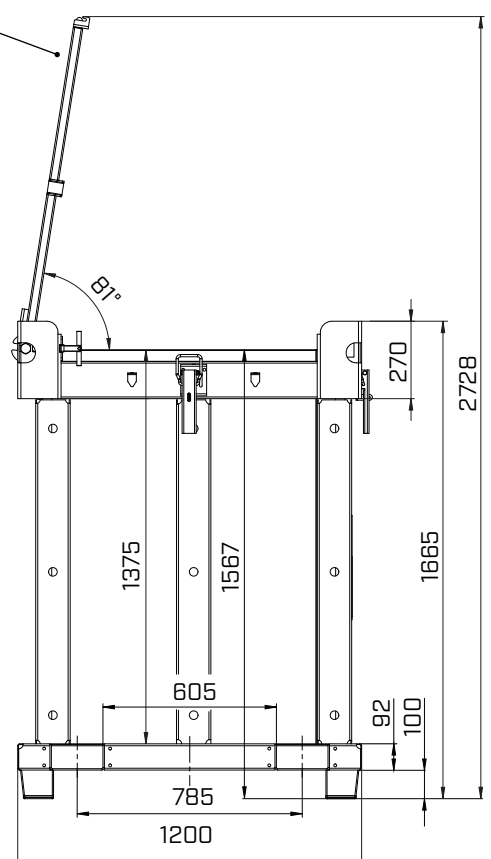
- comply with DIN 30741, part I, UN certified,
- handling with a forklift or crane,
- document pocket,
- hot-dip galvanized.

dimensions [mm]

ASP 600/800 11AX



ASP 1500 11AX



## Lid

- equipped with a handle,
- lockable in the open position 81 degrees and automatic locking when open 270 degrees,
- 2 lid locks,
- springs to lighten the lid,
- lid thickness 2 mm,
- side thickness 2 mm,
- bottom thickness 2.5 mm.

## Technical parameters

Type	volume [l]	dimensions, external dimensions, internal [l x w x h, mm]	weight [kg]	load capacity [kg]
ASP 600 11AX	600	1200×1000×1060 1008×816×770	180	1270
ASP 800 11AX	800	1200×1000×1250 1008×816×962	190	1260
ASP 1500 11AX	1500	1440×1200×1665 1248×1016×1375	320	1180

# Containers for hazardous solid waste

ASP 600/800 4AX



The 4AX version is also suitable for lithium batteries, and for the transport of substances in packing group I./X, II./Y or III./Z, according to ADR / RID / IMDG / RTDG regulations.

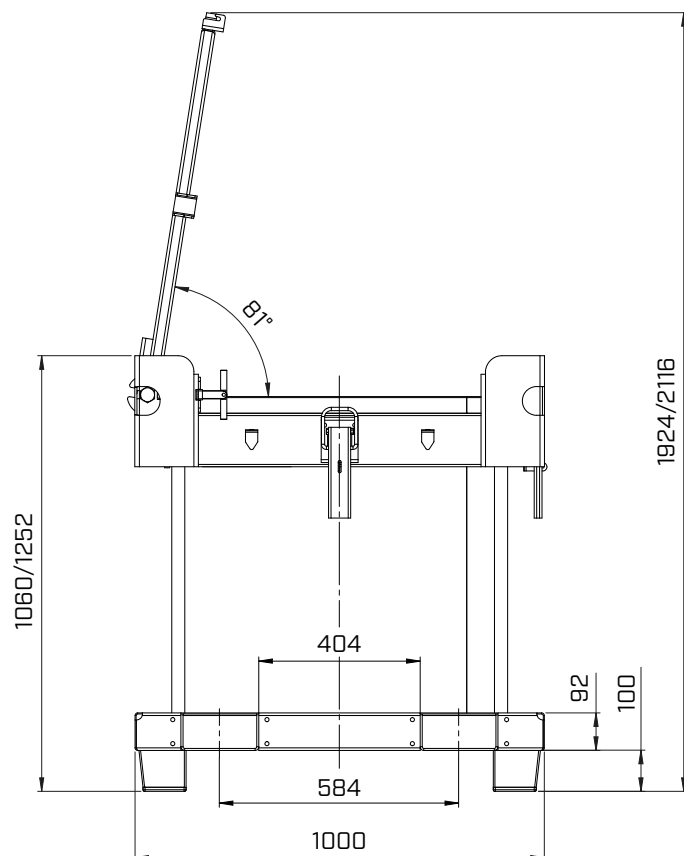
The ASP 600/800 4AX containers are certified according to chapter 6.1 of the ADR Agreement as a steel box (4A). This type of packaging is suitable for all groups of lithium batteries and cells mentioned in 4.1.4.1 of the ADR (Guidelines for packaging).

The 4AX version can also be used for packaging other dangerous goods than lithium batteries. In all cases, however, it is necessary to follow the relevant ADR guideline for the packaging of a specific dangerous substance.

**For lithium batteries, according to 4.1.4.1 of the ADR, the packaging is certified for:**

- lithium batteries transported for disposal or recycling,
- new lithium batteries produced in small series (up to 100 pieces), or prototypes transported for testing,
- lithium batteries damaged or defective, including those contained in equipment, other than those prone to rapid decomposition, hazardous reactions, fire or hazardous heat generation or by releasing toxic, corrosive or flammable vapors,
- other lithium batteries (eg new lithium batteries that are transported throughout the supply chain).

ASP 600/800 4AX



## Specifications

- comply with DIN 30741, part I, UN certified,
- handling with a forklift or crane,
- document pocket,
- hot-dip galvanized.

## Lid

- equipped with a handle,
- lockable in the open position 81 degrees and automatic locking when open 270 degrees,
- 4 lid locks,
- springs to lighten the lid,
- lid thickness 3 mm,
- side thickness 2 mm,
- bottom thickness 2.5 mm.

## Technical parameters

Type	volume [l]	dimensions, external dimensions, internal [l x w x h, mm]	weight [kg]	load capacity [kg]
ASP 600 4AX	600	1200×1000×1060 1008×816×770	200	400
ASP 800 4AX	800	1200×1000×1252 1008×816×862	225	400



Lid locking and lid lightening springs



Lid lock - locked and secured



**ELKOPLAST CZ, s.r.o.**

Štefánikova 2664  
760 01 Zlín  
Czech Republic

e-mail: [elkoplast@elkoplast.cz](mailto:elkoplast@elkoplast.cz)  
tel.: +420 575 571 000

